

THE SHOP

CHOCKS, STANDS & TIE-DOWNS 218. GENERAL ACCESSORIES 220.



WHAT MAKES THE EZ CHOCK DIFFERENT?
NO DRILLING - NO HARDWARE - NO MOUNTING!

EZ CHOCK™

U.S. Patent D547,712 & 7,044,309

The challenge to all truck, trailer & toy hauler owners is to find a simple low cost solution to chocking motorcycles without the hassle of mounting hardware. With the EZ Chock, the hassle of drilling or mounting any hardware for wheel chocks is a thing of the past!

The EZ Chock design allows the use of the same chock in the truck, trailer or toy hauler without additional mounting hardware. A chock that goes where your bike goes... Not the other way around!

It's patented plate & tab strapping design secures your bike in place without the traditional mounting hardware that all other chocks require. The EZ Chock comes in three sizes to cover practically every motorcycle!

935	3-1/2" for Dirt Bikes or Cruisers with Narrow Front Tires (ea)	\$49.99
936	5-1/2" for Sport Bikes or Cruisers with Mid-Width Front Tires (ea)	\$59.99
937	6-1/2" for Cruisers with Wide Front Tires (ea)	\$59.99

Note: We suggest P/N 937 for 150/80 tire size, typical for VTX1800 & 1300R/S/T & Vulcan 2000/1600. We suggest P/N 936 for 110/90 or 130/90 tire sizes, typical for VTX1300 & 1800C/E, V Star & Road Star.

EZ CHOCK



1. SET IN PLACE



2. SET REAR STRAPS



3. STRAP IN THE BIKE



PRIMOSHIELD™ FULL & HALF COVERS

Lightweight, compact & water-resistant bike covers offered in full or half sizes. A soft fabric liner protects your windshield & fairing from abrasion. The bottom panels are heat/scorch resistant & includes an elastic hem coupled with reinforced grommets & shock cords to ensure a great fit.

4120	Full Cover, Black (ea)	\$69.99
4122	Full Cover, Silver (ea)	\$69.99
4121	Half Cover, Black (ea)	\$49.99
4123	Half Cover, Silver (ea)	\$54.99



CLICK-ON
CLICK-OFF



CLIX L.E.D. PODS

Add additional light where it is needed most with the Clix LED Pods. Now there is no need to fumble with flashlights or try to park under street lights to find your belongings. Lights run on 3 AAA batteries (included) & run up to 100 hours. Great for saddle bags & tour boxes!

1626	Clix L.E.D. Pods (ea)	\$8.99
------	-----------------------	--------

965



964



EZ CHOCK

960



961



STANDARD TIE DOWNS WITH RATCHET

- 4500lb Test nylon webbing
- 400lb Workload per strap
- Heavy duty ratchet
- Vinyl-coated hooks
- 6' long, 1" wide straps

965	Standard Tie Downs with Ratchet (pr)	\$29.99
-----	--------------------------------------	---------

STANDARD TIE DOWNS

- 4500lb Test nylon webbing
- 400lb Workload per strap
- Industrial grade buckle
- Vinyl-coated hooks
- 6' long, 1" wide straps

964	Standard Tie Downs (pr)	\$20.99
-----	-------------------------	---------

DELUXE RATCHET TIE DOWNS

- 6.5' long, 2" wide
- 7400lb Test nylon webbing
- 2600lb Rated assembly
- Double security stitching
- 2" Wide industrial grade ratchet
- Coated snap hook secure end & S-hook at bar end

960	Deluxe Ratchet Tie Downs (pr)	\$36.99
-----	-------------------------------	---------

DELUXE RATCHET TIE DOWNS

WITH SOFT SLEEVES

- 6.5' long, 2" wide
- 7400lb Test nylon webbing
- 2600lb Rated assembly
- Double security stitching
- 2" Wide industrial grade ratchet
- 2 Snap hook secure ends

961	Deluxe Ratchet Tie Downs with Soft Sleeves (pr)	\$51.99
-----	---	---------

CONDOR® WHEEL CHOCKS

Condor motorcycle support & transportation solutions provide a fully adjustable wheel locking system capable of accommodating almost any motorcycle. The patented locking mechanism effortlessly & securely supports the motorcycle in an upright position. This makes tying down a motorcycle a simple & easy task for one person. We are so impressed with Condor Products, we use them in our company trailers for safe & secure transport of our motorcycles.



CONDOR® PIT-STOP/TRAILER STOP WHEEL CHOCK

- Accommodates front or rear wheel sizes from 15"-22"/80mm-220mm wide
- Can be used as a work stand or trailer chock
- Allows you to secure the bike with only two straps
- With a trailer adapter kit (sold separately) the unit quickly & easily attaches to trailers or pick-up beds
- Folds down for easy storage & weighs only 21 lbs
- Dimensions: 29" Wide, 30" Long, 15" High (folds to 6" high)

920	Condor Pit-Stop/Trailer Stop Wheel Chock (ea)	\$249.99
921	Adapter Kit for Condor Pit-Stop (ea)	\$21.99

CONDOR® SC2000 TRAILER ONLY WHEEL CHOCK

- Accommodates front or rear wheel sizes from 14"-22"/80mm-220mm wide
- Intended to be used as a trailer chock only
- Includes Trailer Mounting Adapter Kit - Unit quickly & easily attaches or detaches to any transportation platform (trailer, pick-up bed, etc.)
- Allows you to secure the bike with only two straps
- Folds down for easy storage & weighs only 26 lbs
- Dimensions: 9" Wide, 25" Long, 15" High (folds to 7" high)

922	Condor SC2000 Trailer Only Wheel Chock with Adapter Kit (ea)	\$184.99
923	Adapter Kit for SC2000 (ea)	\$24.99



- BIKE MAPS
- GOLDWING
- CAN-AM
- SPORT BIKE
- LIGHTING
- HANDLEBARS
- FOOTRESTS
- CHROME
- LUGGAGE
- TOURING
- PERFORMANCE

THE SHOP

INDEX



HEX TOOLS

FROM BONDHUS

Standard & Torx hex tools should be part of every rider's basic tool kit.

STANDARD HEX KEYS

6016	13pc Black Ball End, .050"-3/8" (set)	\$18.99
------	---------------------------------------	---------

FOLDING HEX KEY SETS

6018	5pc Fold-Up 3/16-3/8 Hex (set)	\$9.99
6019	9pc Fold-Up, .050-3/16 Hex (set)	\$5.99
6023	8pc Fold-Up, T9-T40 Torx (set)	\$14.99



CYCLE BUDDY 6-IN-1 METRIC TOOL FROM BONDHUS

This compact fold-up set has all the tools you need for keeping your motorcycle tight! Features a strong handle & 6 tools for the most used fasteners on your Metric Cruiser or Touring bike. The Cycle Buddy includes 3, 4, 5, 6 & 8mm Metric hex tools & a Phillips PH2 screwdriver all in one convenient tool!

6014	Bondus Cycle Buddy 6-in-1 Metric Tool (ea)	\$21.99
------	--	---------

4203



CTEK MULTI US 3300

- Strong multi-tasker that can handle all but the largest vehicles
- Three changing modes 0.8A@14.4V, 3.3A@14.4V, & 3.3A@14.7V
- Unique cold temperature mode enables faster re-charging, even in the coldest winter conditions
- Charges all types of lead-acid batteries (wet, sealed, AGM)
- Specifically recommended for Optima Red Top batteries
- Ideal uses: All CTEK US 800 applications plus boats, campers, & trucks

- Fits virtually all lead-acid battery types: Wet, Sealed, Gel & AGM
- Splashproof & weatherproof – Sealed design is approved for outdoor use
- Compact, lightweight, & easily portable
- Patented technology protects against sparks, short circuits & reverse polarity
- Does not damage sensitive electronics
- Recovers or “wakes” a sulfated or under charged battery
- Each charger includes one Quick Connect Cord Set

CTEK US 800

- Easily charges all small batteries & is an excellent maintenance charger for seasonal vehicles with batteries up to 100 Ah
- Begins charging at 0.8A
- Sends out current pulses for charge maintenance, will not over-charge
- Ideal uses: Motorcycles, ATVs, personal watercraft, snowmobiles

CTEK MULTI US 7002

- Six step, fully automatic switch mode model for all types of lead-acid batteries (wet, sealed, AGM)
- Maintenance pulse charging increases battery life
- Charges even drained batteries – Pulse recover of sulfated batteries
- Four options – 14.4V, 14.7V, 15.7V recondition, or 13.6V that can also be used as a power supply to operate equipment requiring 13.6V & a maximum of 7A

4202 | CTEK US 800 (ea) | \$49.99

4258 | CTEK MULTI US 7002 (ea) | \$139.99

4203 | CTEK MULTI US 3300 (ea) | \$74.99



4268

COMFORT INDICATOR QUICK CONNECTS

- Monitoring, charging, & maintaining your battery is now a snap!
- Green Light: Battery is OK & does not need to be charged
 - Yellow Light: Battery should be charged to avoid stratification
 - Red Light: Battery needs charging to be able to start the vehicle
- Fits: CTEK chargers with orange & black quick connector

4268 | Comfort Indicator - Eyelet (ea) | \$11.99

4269 | Comfort Indicator - Pigtail (ea) | \$9.99

L.E.D. Indicator Lights

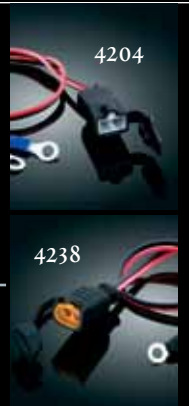
4269

EXTRA QUICK CONNECT CORD SETS

FOR CTEK BATTERY CHARGERS

4204 | Fits: White or White & Black Quick Connector (ea) | \$5.99

4238 | Fits: Orange & Black Quick Connector (ea) | \$5.99



4204

4238



KÜRYAKYN® CAN COOLER

8985 | Can Cooler (pr) | \$5.99

KÜRYAKYN® STAINLESS STEEL TRAVEL MUG

Keep cold drinks cold & hot ones hot when you're on the road. Stainless Steel inside & out with a closable lid to avoid spills.

1469 | Kuryakyn Stainless Steel Travel Mug (ea) | \$18.99



EMBOSSED KÜRYAKYN® METAL SIGN

Great addition to your shop or home.

115032 | Embossed Metal Sign (ea) | \$17.99



KÜRYAKYN® T-SHIRTS

You buy the parts to customize & personalize your motorcycle, now get the shirt to show people where you get your top quality parts.

805 | L-Short Sleeve, Sand (ea) | \$19.99

806 | XL-Short Sleeve, Sand (ea) | \$19.99

807 | XXL-Short Sleeve, Sand (ea) | \$19.99

809 | L-Long Sleeve, Black (ea) | \$19.99

810 | XL-Long Sleeve, Black (ea) | \$19.99

811 | XXL-Long Sleeve, Black (ea) | \$21.99

#1 ENDORSED DEER ALERT IN AMERICA

V-120 & V-120C HORNET®

ELECTRONIC DEER AVOIDANCE SYSTEM

Deer are the number one animal causing human deaths in this country. The Hornet has proven to be the only device to effectively deter deer accidents. There are tens of thousands of Hornets in daily use with millions of proven miles. Regardless of speed, it produces a sound pressure of 120 db, & under most circumstances is very resistant to contamination. Regular inspection & cleaning is recommended.

Proper placement is essential for maximum performance. Detailed instructions make for easy & effective installation. The Hornet includes various universal mounting brackets, basic hardware & a switch. A separate motorcycle wiring kit is available & includes a harness & switch specifically designed for use on a motorcycle; while not required, it will make the installation much neater. Our P-Clamps work great on many motorcycles to assist in mounting to frames or engine guards.

Universal fit on 12-volt motorcycles

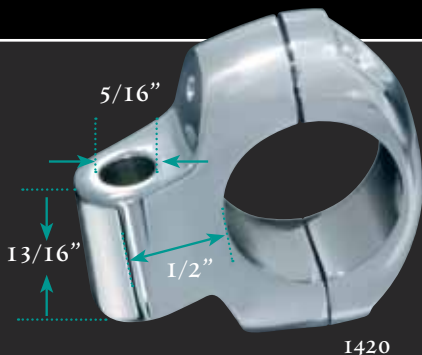
4042	V-120 Hornet Deer Alert, Black (ea)	\$79.99
4043	V-120C Hornet Deer Alert, Chrome (ea)	\$84.99
4044	Motorcycle Wiring Kit for V-120/V-120C	\$17.99



Shown with P-Clamp - pg 93



DEER ARE RESPONSIBLE FOR MORE DEATH & INJURY THAN ANY OTHER ANIMAL IN THE U.S.A.



UNIVERSAL ACCESSORY MOUNT CLAMPS

Here's a simple, secure & clean method for mounting most of your modern-day conveniences. Replacement Mount for The Sound of Chrome Speakers, Handlebar Electrical Power Point Universal Drink Holders, Universal Handlebar Accessory Mounts, & any style of Kuryakyn Mirrors.

1420	Fits: 1" Bars (ea)	\$11.99
1468	Fits: 1-1/4" Bars (ea)	\$19.99
1415	Fits: 3/4", 5/8", & 1/2" Bars (ea)	\$16.99

SEE CLUTCH & BRAKE PERCH MOUNTS - PG 116

GUARDIAN® BELLS

Legend has it that evil road spirits have been latching themselves to motorcycles for as long as there's been bikes on the road. By attaching a Guardian Bell to your motorcycle you can drive the evil spirits away. Give as a gift to share the Legend of Good Luck to a motorcycle & its rider!

750	Eagle (ea)	\$9.99	757	Old Glory (ea)	\$9.99
751	Celtic (ea)	\$9.99	758	Never Ride Faster (ea)	\$9.99
752	Holy Cross (ea)	\$9.99	759	Flame (ea)	\$9.99
753	P.O.W. (ea)	\$9.99	760	Grenade (ea)	\$9.99
754	Lady Rider (ea)	\$9.99	761	Ride It Like You Stole It (ea)	\$9.99
755	Skull (ea)	\$9.99			
756	Halo (ea)	\$9.99			



- BIKE MAPS
- GOLDWING
- CAN-AM
- SPORT BIKE
- LIGHTING
- HANDLEBARS
- FOOTRESTS
- CHROME
- LUGGAGE
- TOURING
- PERFORMANCE

THE SHOP

INDEX

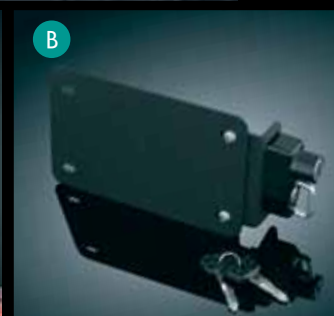


FIND US ONLINE
WWW.KURYAKYN.COM



NEW

WORKS GREAT ON
OUR HIGHWAY PEGS!



A CHROME UNIVERSAL HELMET LOCK

Don't let anyone walk off with your helmet! Lock it right to your bike. Works on engine guards, frame tubes, or any other 7/8" to 1-1/2" tubes.

4232	For 1-1/4" to 1-1/2" Tube (ea)	\$26.99
4220	For 7/8" to 1-1/4" Tube (ea)	\$24.99

Note: Installs with standard tools. Works best mounted on a 2-1/4" long section of straight tube.

B LICENSE PLATE HELMET LOCK WITH MOUNT

Lock your helmet to your motorcycle. The mounting plate easily bolts to the back of almost any motorcycle & allows easy access for locking your helmet.

4248	License Plate Helmet Lock (ea)	\$42.99
------	-----------------------------------	---------

D DISC LOCK

Tough, compact, easy to use. Universal front or rear fitment. (Does not fit rear rotor on '99-earlier FLT Models.) 3/8" dia. pin.

4223	Black (ea)	\$31.99
4257	Yellow (ea)	\$31.99

C KOOL KAPS CHROME COVERS

Cover those unsightly & unfinished bolt heads with brilliant chrome. Works great for covering our Highway Peg Clamp Bolts. Kits come with 10 pieces.

2447	For 3/4" Hex Bolts	\$11.99
------	--------------------	---------

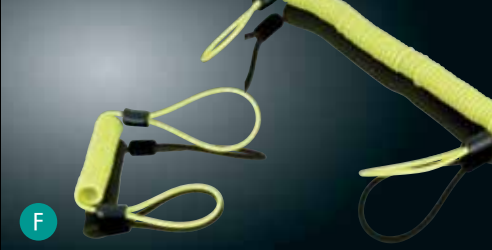
Note: Requires a small amount of silicone. Found at local hardware store or order Kuryakyn P/N 400039 for \$8.99.

NEW

E TIRE GAUGE

Reads from 2.5 lbs to 100 lbs in .5 increments.

6012	Digital Tire Gauge with Hose (ea)	\$22.99
------	---	---------



F LOCK REMINDER CORDS
 Never ride off with your disc lock in place again. These compact, yellow cords stretch from the disc lock to the handlebar to serve as a reminder to remove the lock.

4234	4-1/2 ft. (ea)	\$8.99
4236	9 ft. (ea)	\$10.99

G HELMET PINS
 The fastest, easiest way to hang a helmet! It's more convenient than resting a helmet on the seat & there's no risk of the helmet falling off & becoming damaged. Available to replace clutch or brake lever pins.

4210	Clutch & Brake Lever Pin Helmet Holder without Lock (ea)	\$9.99
------	--	--------

Note: 4210 replaces pivot pins with shank diameter of 7.9mm & shank length of 32mm. Thread diameter is 6mm with a thread length of 10mm.

H AUTOLITE™ EXTREME SPORT SPARK PLUGS
 Fine wire design increases ignition power & extends the life of these superior plugs.

325	AXS4164DP (pr) Fits: All '99-'10 Twin Cam, all '88-'10 Sportsters, '88-'00 GL1500, '96-'03 Valkyrie, '84-'87 GL1200	\$14.99
-----	--	---------

I GRIP END HELMET LOCK
 This trick little device adds both a locking helmet holder to the end of your grips as well as functions as a bar end weight to assist in stabilizing. Simply slide your helmet D-Ring into the slot or use the provided helmet lock extension & lock it in.
 Fits: All Kuryakyn ISO-Grips, ISO-Flame Grips & Transformer Grips

6247	KewLock (ea)	\$43.99
6248	KewLocks (pr)	\$87.99

AIR FORCE BLASTER SIDEKICK

FROM METRO

The Sidekick is a compact, powerful hand held motorcycle dryer that is small enough to put into a saddlebag yet strong enough to dry a bike off in minutes! At just over 3 pounds, the all steel Sidekick's 1.3 H.P. motor produces a large volume of warm filtered air & is great at home or on the road.

905 | Blaster Sidekick (ea) | \$99.99



AIR FORCE BLASTER

FROM METRO

The Air Force Blaster with its 4 peak H.P. motor & 2-stage dual fan provides a super high velocity, mildly heated air column that cuts drying time by approximately 75%. A variety of interchangeable tips included.

900 | Air Force Blaster (ea) | \$239.99

BIKE MAPS

GOLDWING

CAN-AM

SPORT BIKE

LIGHTING

HANDLEBARS

FOOTRESTS

CHROME

LUGGAGE

TOURING

PERFORMANCE

THE SHOP

INDEX

WWW.KURYAKYN.COM

866-277-9598



WHITE DIAMOND® METALS POLISH

Oxidization & discoloration is easily & quickly removed from aluminum, stainless, chrome, & brass while returning the surface to a brilliant shine. Also effective on minor gold & blue discoloration on chrome & stainless exhaust pipes. Besides containing an ultra fine polishing rouge, White Diamond contains a wax agent that will keep surfaces gleaming far longer than competing brands.

35 | White Diamond Metals Polish, 12 oz (ea) | \$15.99

GLARE® ULTRA WASH

Biodegradable & safe for paints & finishes including enamel & clear-coated paints.

943 | Glare Ultra Wash (ea) | \$14.99



LIQUID HORSEPOWER FUEL TREATMENT

LHP (Liquid Horsepower) is the most advanced & effective gasoline additive for use in both stock & high performance engines. The performance, protection, & fuel mileage it delivers will keep you coming back for more.

FEATURES:

- Maximum street legal octane booster potency approved by EPA
- O2 sensor safe
- Upper cylinder lubricant protects & extends life of valves, valve guides, pistons, rings, & cylinders
- Prevents rust & corrosion
- Stabilizes fuel to prevent gelling during storage
- Complies with all manufacturer warranty requirements

954	LHP 1oz Bottles (48 Count with 2 Displays)	\$143.99
955	LHP 1oz Bottle (Treats 5 gal) (ea)	\$2.99
956	LHP 6oz Bottle (Treats 30 gal) (ea)	\$10.99



LOCTITE® THREAD TREATMENT STICKS

SILVER GRADE ANTI-SEIZE STICK

- Protects metal parts in high heat environments up to 1600°F
- Prevents rust, corrosion, seizing & eases disassembly
- Reduces friction & wear

97 | Silver Grade Anti-Seize Stick (20 grams) (ea) | \$5.99

268 HIGH STRENGTH RED THREADLOCKER STICK

- Eliminates loosening from vibration, shock, or thermal expansion & prevents rust & corrosion while sealing & protecting threads
- Requires localized heat & hand tools for removal
- Temp resistant to 300°F, fully cured in 24 hrs

96 | 268 High Strength Red Threadlocker Stick (9 grams) (ea) | \$12.99

248 MEDIUM STRENGTH BLUE THREADLOCKER STICK

- Eliminates loosening from vibration, shock, or thermal expansion & prevents rust & corrosion while sealing & protecting threads
- Removable with hand tools
- Temp resistant to 300°F, fully cured in 24 hrs

95 | 248 Medium Strength Blue Threadlocker Stick (9 grams) (ea) | \$12.99



950

DOC BAILEY'S LEATHER BLACK

Mild detergents clean the leather, lanolin oil conditions & restores the skin, then the black dye pigment restores the color! Natural waxes seal the color in & waterproofs your leather saddle bags, jackets, & motorcycle seats. Try it on anything black; running boards, car interiors, plastic, & rubber side walls - you'll be impressed how well it works. Contains no silicone & will not bleed. Available in single use packs, 4 oz detail kit with sponge applicator & buffing cloth, & 8.8 oz bottle with applicator sponge.

950	Doc Bailey's Leather Black 8.8 oz Bottle w/Applicator Sponge (ea)	\$24.99
957	Doc Bailey's Leather Black Detail Kit (4 oz Kit)	\$16.99
951	Doc Bailey's Leather Black (50 Count Single Use Packs)	\$49.99



957



951



DOC BAILEY'S LEATHER CLEAR

Designed for all color, exotic skins, & multi color leathers. Cutting edge technology - light years ahead of traditional leather care. Spray & Wipe Clear Formula cleans, conditions, restores & waterproofs all leather & vinyl. Excellent for riding leathers, motorcycle seats with stitching, leather furniture, car interiors - all colors of leather, vinyl, rubber & plastic! Available in a 4 oz detail kit with sponge applicator & buffing cloth.

958 | Doc Bailey's Leather Clear Detail Kit (4oz Kit) | \$16.99